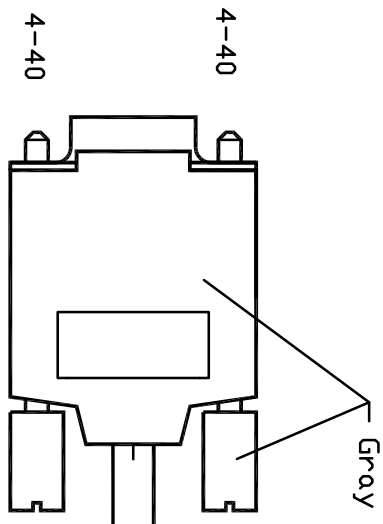
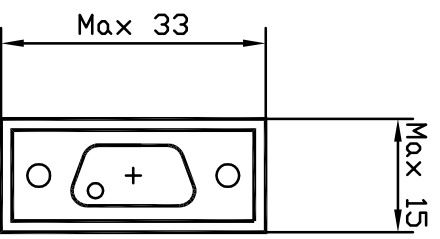


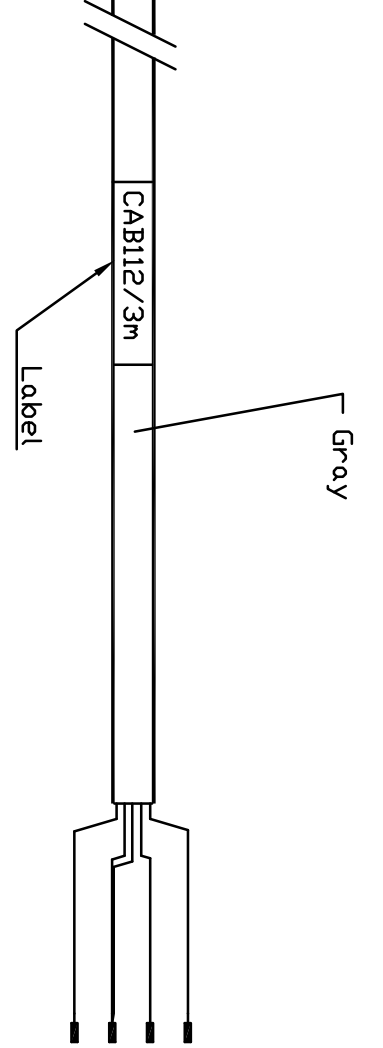
Shield connected to D-SUB cover

Crevis Modbus RS 485 screw shield



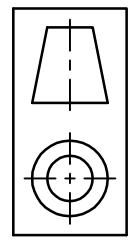
D-SUB 9P MALE

Length: 3 m  
Cable: LIYCY-Pair 2x2x0,14 or equivalent



**Note:** Cable must follow the Beijer standard document I-4795 Connection of the cable shield to the D-sub

This drawing is our intellectual and substantive property. It is a company secret, which may not be copied, duplicated or made accessible to third parties. It has to be returned to us upon demand and is not subject to a revision service.		Universal tolerances for linear and angular dimensions		Scale	Weight	Kg
D	Text+Details	27.02.12	Bö	Date	Name	Designation
C	Resistor	20.02.12	Bö	Drawn	H.Böhmler	external cable, length 3m
B	Text	13.05.11	Bö	Check		TxA Soft PLC
				Norm		Metal cover connector
				CIS-№:		all views



Ref.		Revision	Date	Name	Drawing number	
D		27.02.12	Bö		CAB-112	
C		20.02.12	Bö		external cable, length 3m	
B		13.05.11	Bö		TxA Soft PLC	
					Metal cover connector	
					all views	
					Subst. for: CAB-77100-039D	
					Subst. of: Page 1 of 1 Pg	

